

CONTACT INFORMATION

- Website: www.supermicro.com
- General Information: marketing@supermicro.com
- Tech Support: support@supermicro.com
- Phone: +1 (408) 503-8000, Fax: +1 (408) 503-8008

FOR YOUR SYSTEM TO WORK PROPERLY, PLEASE DOWNLOAD APPROPRIATE

DRIVERS/IMAGES/USER'S MANUAL FROM THE LINKS BELOW:

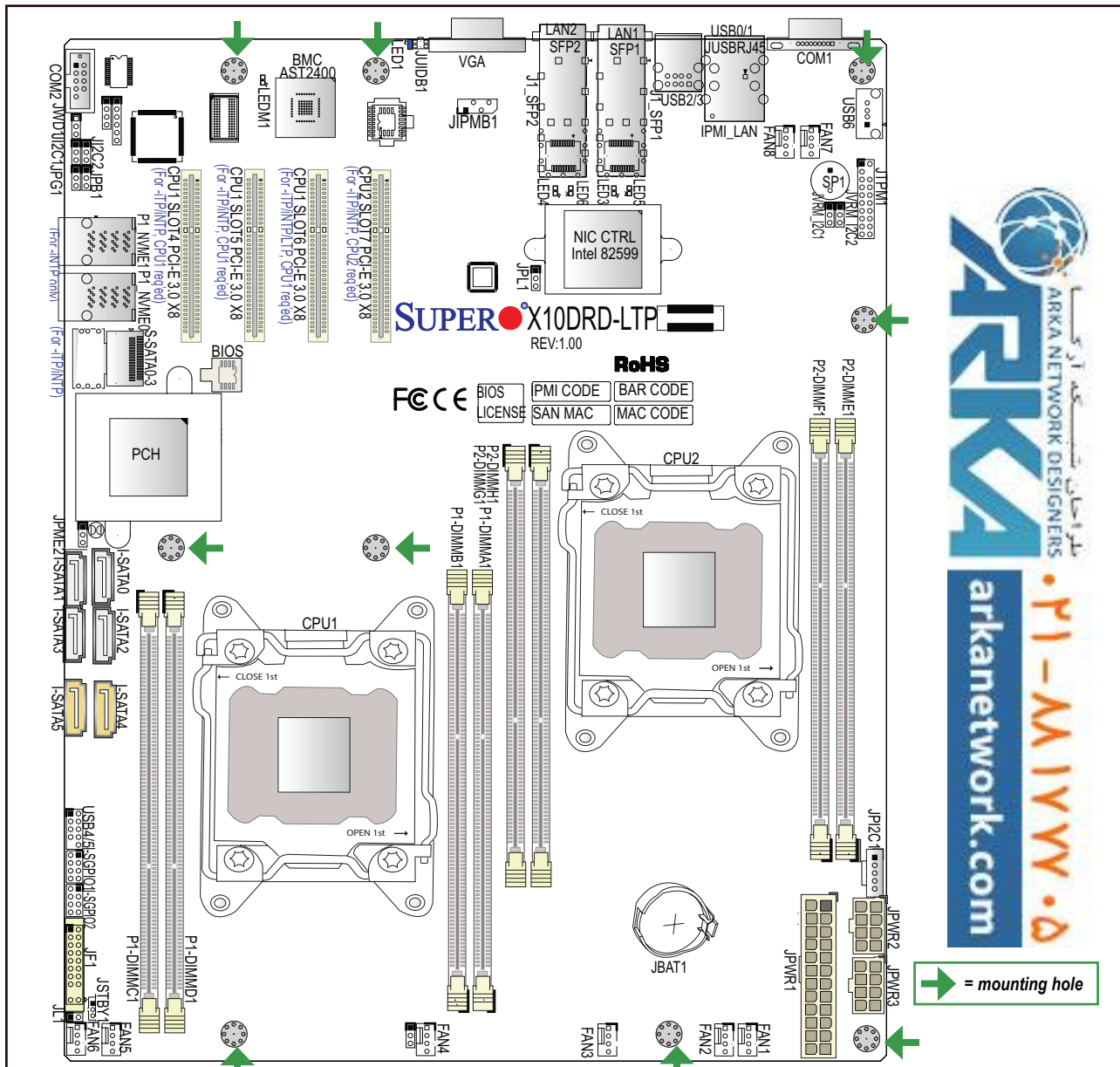
- Manuals: <http://www.supermicro.com/support/manuals/>
- Drivers & Utilities: <http://www.supermicro.com/wftp>
- Safety: http://www.supermicro.com/about/policies/safety_information.cfm

PACKAGE CONTENTS

- One (1) Supermicro Motherboard
- One (1) I/O shield (MCP-260-00042-0N)
- Four (4) SATA Cables (CBL-0044L)
- One (1) Quick Reference Guide (MNL-1681-QRG)
- One (1) I/O shield dual-port SFP bracket
- One (1) iPASS to 4-SATA cable (CBL-0097L-03) (for X10DRD-iTP/iNTP)



Motherboard Layout and Features



Jumpers and Connectors

Jumpers		
Jumper	Description	Default Setting
JBT1	Clear CMOS	See Chapter 2
J1 ² C1/J1 ² C2	SMB to PCI-E Slots	Pins 2-3 (Disabled)
JPB1	BMC Enable	Pins 1-2 (Enabled)
JPG1	VGA Enable	Pins 1-2 (Enabled)
JPL1	10G_SPF/LAN 1/2 Enable	Pins 1-2 (Enabled)
JPME2	Manufacture (ME) Mode Select	Pins 1-2 (Normal)
JWD1	Watch Dog Timer Enable	Pins 1-2 (Reset)

Connectors	
Connectors	Description
JBAT1 (Battery)	Onboard CMOS battery
COM1/COM2	Backplane COM Port1/Front accessible COM2 header
FAN 1- 8	CPU/system fan headers (FAN1-FAN8)
IPMI_LAN	IPMI_dedicated LAN support by the Aspeed controller
JF1	Front control panel header
JL1	Chassis intrusion header
J1 ² C1	Power supply SMBbus I ² C header
JPWR1	24-pin ATX main power connector
JPWR2/JPWR3	12V 8-pin power connectors
JSTBY1	Standby power connector
JTPM1	TPM (Trusted Platform Module)/Port 80 header
P1-NVME0/1	NVM Express PCI-E 3.0 x4 ports supported by CPU1 (for X10DRD-iNTP only)
I-SATA 0-5	SATA 3.0 connectors supported by Intel [®] PCH (I-SATA 0-5), (I-SATA4/I-SATA5: can be used as Supermicro SuperDOMs [Devices-on-Module] with built-in power connectors)
I-SGPIO1/2	Seria_Link General Purpose I/O headers 1/2 for SATA ports (I-SGPIO1 for I-SATA0-3, I-SGPIO2 for I-SATA4/5)
S-SATA0-3	SATA 3.0 connections 0-3 supported by Intel [®] SCU (for X10DRD-iTP/iNTP only)
SFP+/LAN1	10G_SFP+ (Small-form Factor Pluggable Transceiver)/(10GbE) LAN Port 1 (J1_SFP1)
SFP+/LAN2	10G_SFP+ (Small-form Factor Pluggable Transceiver)/(10GbE) LAN Port 2 (J1_SFP2)
(CPU1)Slot4	PCI-Express 3.0 x8 slot from CPU1 (for X10DRD-iTP/iNTP)
(CPU1)Slot5	PCI-Express 3.0 x8 slot from CPU1 (for X10DRD-iTP/iNTP)
(CPU1)Slot6	PCI-Express 3.0 x8 slot from CPU1 (for X10DRD-iTP/iNTP/LTP)
(CPU2)Slot7	PCI-Express 3.0 x8 slot from CPU2 (CPU2 is required) (for X10DRD-iTP/iNTP)
SP1	Internal speaker/buzzer
UID-SW (JUIDB1)	UID (Unit Identification) switch
(BP) USB 0/1 (2.0)	Backpanel USB 2.0 ports 0/1
(BP) USB 2/3 (2.0)	Front accessible USB 2.0 connections (USB 2/3) header
(BP) USB 4/5 (2.0)	Backpanel USB 2.0 ports 4/5
(FP) USB 6 (2.0)	Front accessible Type A 2.0 connector (USB6)
VGA	Backpanel VGA port

Note: Refer to Chapter 1 of the user manual for detailed information on jumpers, connectors, and LED indicators.

CPU Support

Dual Intel[®] E5-2600v3/v4 Series processors (Socket R3-LGA 2011); each processor supports dual full-width Intel QuickPath Interconnect (QPI) links (of up to 9.6 GT/s one direction per QPI)

Note: Please install both CPUs for full access to the PCI-E slots, DIMM slots, and onboard controllers. Refer to the block diagram on page 1-10 in the manual to determine which slots or devices may be affected. Please populate CPU socket 1 first.

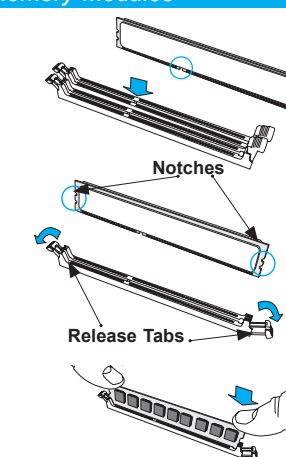
Memory Support

This motherboard supports up to 1024 GB of Load Reduced (LRDIMM) or 256 GB of Registered (RDIMM) DDR4 (288-pin) ECC 2400 MHz (max.) modules in eight slots. Memory speed support depends on the CPUs installed in the motherboard. For the latest memory updates, please refer to our website at <http://www.supermicro.com/products/motherboard>.

Populating RDIMM/LRDIMM ECC Memory Modules

Populating RDIMM/LRDIMM DDR4 Memory Modules for the E5-2600v3-based Motherboard

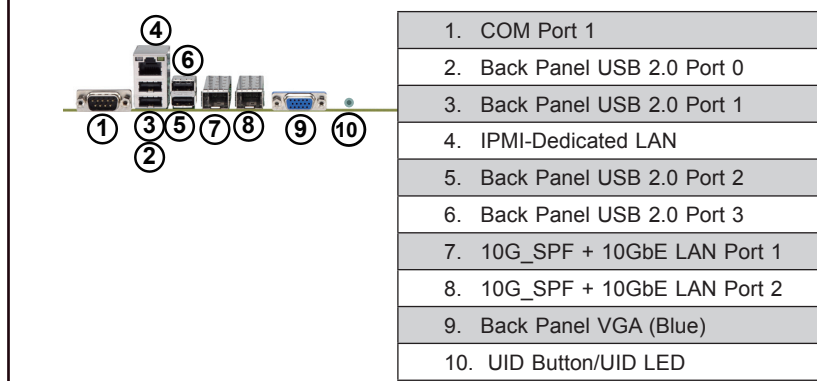
Type	Module Part Number	Module Capacity (GB)	Speed (MT/s) at Voltage (V)	
			1 Slot Per Channel	2 Slot Per Channel
RDIMM	8GB	4GB	2400	2133
		8GB	2400	2133
	16GB	8GB	2400	2133
		16GB	2400	2133
LRDIMM	8GB	8GB	2400	2133
		16GB	2400	2133
	16GB	16GB	2400	2133
		32GB	2400	2133



Populating RDIMM/LRDIMM DDR4 Memory Modules for the E5-2600v4-based Motherboard

Type	Module Part Number	Module Capacity (GB)	Speed (MT/s) at Voltage (V)	
			1 Slot Per Channel	2 Slot Per Channel
RDIMM	8GB	8GB	2400	2133
		16GB	2400	2133
	16GB	8GB	2400	2133
		16GB	2400	2133
LRDIMM	8GB	8GB	2400	2133
		16GB	2400	2133
	16GB	16GB	2400	2133
		32GB	2400	2133

Back Panel I/O Connectors

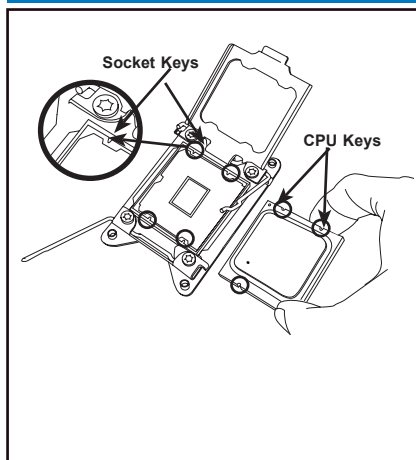


LED Indicators

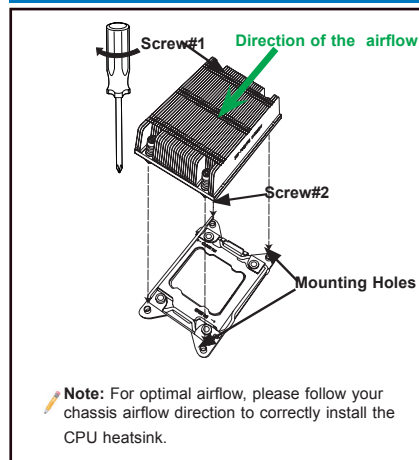
LED	Description	State	Status
LED1	Rear UID LED	Blue: On	Unit Identified
LED3	SFP+/LAN1 Activity LED	Green: Blinking	SFP+/LAN1 Active
LED4	SFP+/LAN1 Heartbeat LED	Green: Blinking	SFP+/LAN1 Normal
LED5	SFP+/LAN2 Activity LED	Green: Blinking	SFP+/LAN2 Active
LED6	SFP+/LAN1 Heartbeat LED	Green: Blinking	SFP+/LAN2 Normal
LEDM1	BMC Heartbeat LED	Green: Blinking	BMC Normal

Note: Refer to Chapter 2 of the user manual for detailed information on memory support and CPU/motherboard installation instructions.

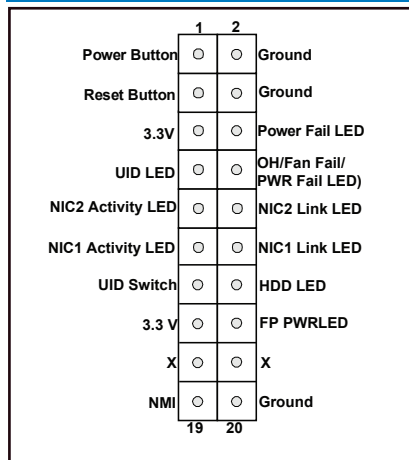
CPU Installation



Heatsink Installation



Front Control Panel (JF1)



Note: Graphics shown in this quick reference guide are for illustration only. Your components may or may not look exactly the same as the drawings shown in this guide.